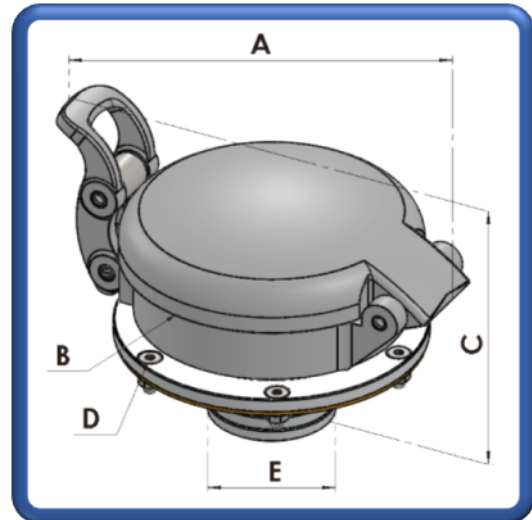




Classic 300

Classic 350 Fuel Filler Cap, Non- Locking Ø64.0mm Integral Neck. Part Number: OM-ZA-007 (C3564DN)



Options:

Part Description

Classic 350 Fuel Filler Cap, Locking, Ø64.0mm Integral Neck

Part Number

OM-ZA-008 (C3564DNL)

Specifications:

Options:

Fixing Arrangement:

Applications:

Compatibilities:

Finish:

Weight:

Supplied With:

N/A

6 x M5 CSK Bolts

Fuel, Oil & Water Tanks

Compatible with Add Blue

Operation Temperature -40°C to +80°C

Natural Polish

465 grams

Cap

Flange Neck

M5 Screw Pack

Materials:

Centre Cap:

Flange:

O-Ring:

Seal Plate:

Gasket:

Zinc Die-Cast Chrome plated

Aluminium Alloy 6082/T6

Viton A (FPM or FKM)

Brass

NBR Cork

Dimensions:

Length A:

Width B:

Height C:

PCD D:

Height + Diameter E:

172.0mm

84.0mm

119.0mm

6 x M5 CSK Bolts on a 114.3mm PCD

Ø64.0 x 35.0mm

Optional('s):

Lead-Free

Locking Cap

Fluid Containment – When It Matters

Tell: +4420 8594 7990 / Fax: +4420 8594 7989 / www.newton-equipment.com / info@newton-equipment.com

Registered in England. 6 Orwell Close/ Fairview Ind. Park/ Rainham/ Essex/ RM13 8UB