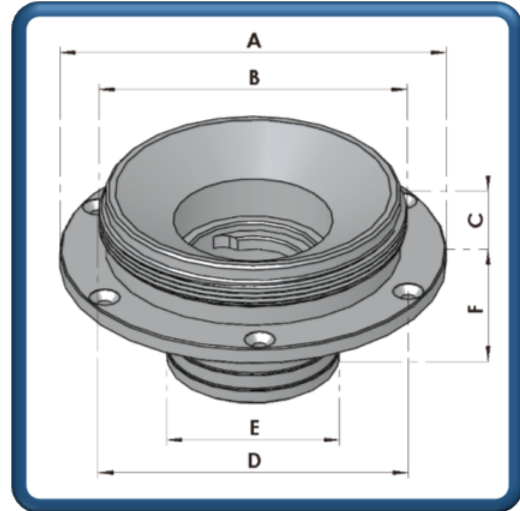




Classic 350

Classic 3.50" Ø57.0mm Flange Neck.
Part Number: FL-AG-004 (CFN3557)



Specifications:

Options:

Fixing Arrangement:

Applications:

Compatibilities:

Finish:

Weight:

Supplied With:

N/A

6 x M5 CSK Bolts

Fuel, Oil & Water Tanks

Compatible with Add Blue

Operation Temperature -40°C to +80°C

Anodise Silver +AA6 BS EN ISO 7599

205.0 grams

Flange Neck

M5 Screw Pack

Gasket

Materials:

Flange:

Screw Pack:

Gasket:

Aluminium Alloy 6082/T6

A2 Type Stainless Steel

NBR Cork

Dimensions:

Outer Dimension A:

Thread Specifications B:

Height C:

PCD D:

Hose Spigot Diameter E:

Hose Spigot Height F:

126.0mm

3.5" x 11TPI BSP Thread

22.0mm

6 x M5 CKS Holes on a 114.3mm PCD

Ø57.0mm

26.0mm

Optional('s):

Viton A Gasket

Lead-Free Flap

Locking Insert

Classic 3.5" Cap

Ø57.0 Straight Hose 1m

Ø57.0 Angle Hose 45°

Ø57.0 Angle Hose 90°

Fluid Containment – When It Matters

Tell: +4420 8594 7990 / Fax: +4420 8594 7989 / www.newton-equipment.com / info@newton-equipment.com

Registered in England. 6 Orwell Close/ Fairview Ind. Park/ Rainham/ Essex/ RM13 8UB