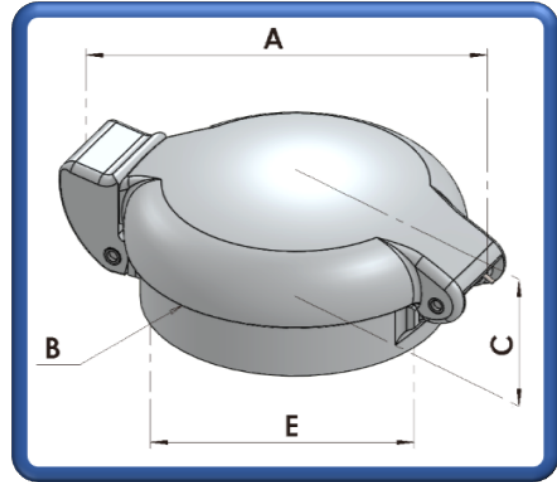




# Classic C300

**Classic Bus 3.0" Filler Cap, Pull Lever Action.  
Part Number: OL-ZA-005 (C30D)**



## Specifications:

**Options:**

N/A

**Fixing Arrangement:**

Can either be Tank Mounted (via Flange) or Remotely Mounted (via Flange and hose tail).

**Applications:**

Fuel, Oil, AdBlue & Water Tanks

**Compatibilities:**

Operation Temperature -40°C to +80°C

**Finish:**

Natural Polished

**Weight:**

195.0 grams

## Materials:

**Centre Cap:**

Aluminium LM25

**Seal:**

Viton A or Fibre Gasket (Optional)

## Dimensions:

**A:**

132.0mm

**B:**

100.0mm

**C:**

48.0mm

**D:**

N/A

**E:**

M72 x 1.5 Thread

**Filling Aperture:**

Ø52.0mm

## Associated Parts:

Tank Mount Flange  
Remote Mount Flange Neck  
Locking Insert

***Fluid Containment – When It Matters***

Tell: +4420 8594 7990 / Fax: +4420 8594 7989 / [www.newton-equipment.com](http://www.newton-equipment.com) / [info@newton-equipment.com](mailto:info@newton-equipment.com)  
Registered in England. 6 Orwell Close/ Fairview Ind. Park/ Rainham/ Essex/ RM13 8UB