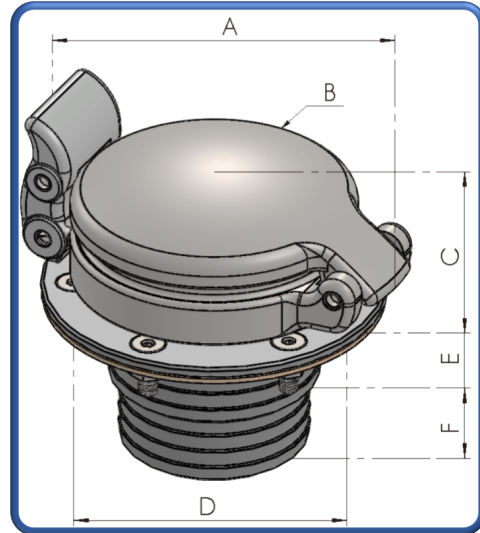


Classic 275

**Classic 250 Chrome Fuel Filler Cap + 50/57mm Integral Neck. Non-Locking.
Part Number: OK-ZA-012 (C275CHBUSN)**



Options:

Part Description

Classic 275 Chrome Fuel Filler Cap, Ø50/57mm Integral Neck, Locking

Part Number

OK-ZA-013 (C275CHBUSNL)

Specifications:

Options:

Fixing Arrangement:

Applications:

Compatibilities:

Finish:

Weight:

Supplied With:

N/A

6 x M5 CSK Bolts

Fuel, Oil & Water Tanks

Compatible with Add Blue

Operation Temperature -40°C to +80°C

Chrome Plated

630.0 grams

Cap

Flange Neck

M5 Screw Pack

Materials:

Centre Cap:

Flange:

O-Ring:

Seal Plate:

Gasket:

Zinc Die-Cast Chrome plated

Aluminium Alloy 6082/T6

Viton A (FPM or FKM)

Brass

NBR Cork

Dimensions:

Length A:

Width B:

Height C:

PCD D:

Height + Diameter E:

Height + Diameter F:

117.3mm

84.0mm

91.0mm

6 x M5 CSK Bolts on a 76.2mm PCD

Ø57.0 x 26.0mm

Ø50.0 x 20.0mm

Optional('s):

Lanyard

Lead-Free

Locking Cap

Fluid Containment – When It Matters

Tell: +4420 8594 7990 / Fax: +4420 8594 7989 / www.newton-equipment.com / info@newton-equipment.com

Registered in England. 6 Orwell Close/ Fairview Ind. Park/ Rainham/ Essex/ RM13 8UB