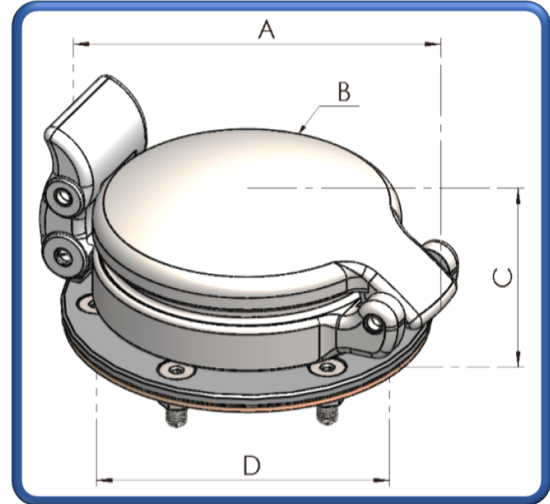




Classic 275

Classic 275 Chrome Bus Fuel Filler Cap + 6 Hole Flange. Part Number: OK-ZA-011 (C275BUSF)



Specifications:

Options:
Fixing Arrangement:
Applications:
Compatibilities:

Finish:
Weight:
Supplied With:

N/A
6 x M5 CSK Bolts
Fuel, Oil & Water Tanks
Compatible with Add Blue
Operation Temperature -40°C to +80°C
Chrome Plated
580.0 grams
Flange
M5 Screw Pack (CSK screws, Washers, Nyloc Nuts)
Gasket

Materials:

Centre Cap:
Flange:
O-Ring:
Seal Plate:
Gasket:

Zinc Die-Cast Chrome Plated
Aluminium Alloy 6082/T6
Viton A (FPM or FKM)
Brass
NBR Cork

Dimensions:

Length A:
Width B:
Height C:
PCD D:
Bore Diameter:

117.3mm
85.0mm
54.0mm
6 x M5 CKS Bolts on a 76.2mm PCD
52.0mm

Optional('s):

Fluid Containment – When It Matters

Tell: +4420 8594 7990 / Fax: +4420 8594 7989 / www.newton-equipment.com / info@newton-equipment.com
Registered in England. 6 Orwell Close/ Fairview Ind. Park/ Rainham/ Essex/ RM13 8UB