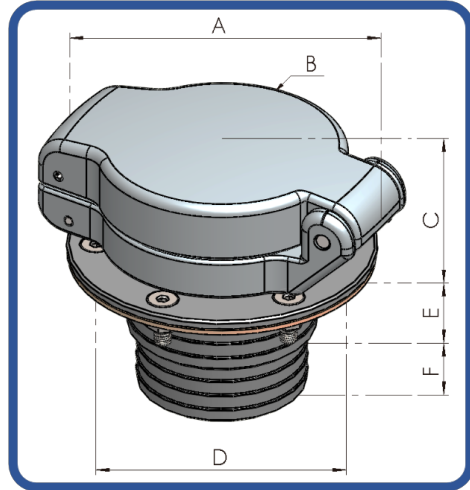




# Classic 275

## Classic 275 Chrome Fuel Filler Cap + 50/57mm Integral Neck, Non-Locking.

Part Number: OK-ZA-009 (C275CHN)



### Options:

#### Part Description

Classic 275 Chrome Fuel Filler Cap, Ø50/57mm Integral Neck, Locking

#### Part Number

OK-ZA-010 (C275CHNL)

### Specifications:

#### Options:

#### Fixing Arrangement:

#### Applications:

#### Compatibilities:

#### Finish:

#### Weight:

#### Supplied With:

N/A

6 x M5 CSK Bolts

Fuel, Oil & Water Tanks

Compatible with Add Blue

Operation Temperature -40°C to +80°C

Chrome Plated

650.0 grams

Cap

Flange Neck

M5 Screw Pack (CSK Screws, Washers, Nyloc Nuts)

### Materials:

#### Centre Cap:

#### Flange:

#### O-Ring:

#### Seal Plate:

#### Gasket:

Zinc Die-Cast Chrome plated

Aluminium Alloy 6082/T6

Viton A (FPM or FKM)

Brass

NBR Cork

### Dimensions:

#### Length A:

#### Width B:

#### Height C:

#### PCD D:

#### Height + Diameter E:

#### Height + Diameter F:

117.3mm

84.0mm

88.0mm

6 x M5 CSK Bolts on a 76.2mm PCD

Ø57.0 x 26.0mm

Ø50.0 x 20.0mm

### Optional('s):

Lanyard

Lead-Free

Locking Cap

### **Fluid Containment – When It Matters**

Tell: +4420 8594 7990 / Fax: +4420 8594 7989 / [www.newton-equipment.com](http://www.newton-equipment.com) / [info@newton-equipment.com](mailto:info@newton-equipment.com)

Registered in England. 6 Orwell Close/ Fairview Ind. Park/ Rainham/ Essex/ RM13 8UB