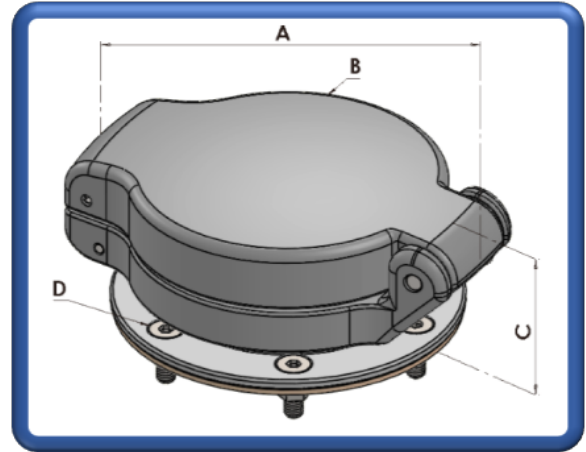




Classic 275

Classic 275 Chrome Fuel Filler Cap + 6 Hole Flange. Part Number: OK-ZA-008 (C275CHF)



Specifications:

Options:

Fixing Arrangement:

Applications:

Compatibilities:

Finish:

Weight:

Supplied With:

N/A

6 x M5 CSK Bolts

Fuel, Oil & Water Tanks

Compatible with Add Blue

Operation Temperature -40°C to +80°C

Natural Polished

600.0 grams

Flange

Cap

Screw Pack (CSK Screws, Washers, Nyloc Nuts)

Gasket

Materials:

Centre Cap:

Flange:

O-Ring:

Seal Plate:

Gasket:

Aluminium Alloy LM25 Cast

Aluminium Alloy 6082/T6

Viton A (FPM or FKM)

Brass

NBR Cork

Dimensions:

Length A:

Width B:

Height C:

PCD D:

Bore Diameter:

117.3mm

85.0mm

42.0mm

6 x M5 CKS Bolts on a 76.2mm PCD

52.0mm

Optional('s):

Fluid Containment – When It Matters

Tell: +4420 8594 7990 / Fax: +4420 8594 7989 / www.newton-equipment.com / info@newton-equipment.com

Registered in England. 6 Orwell Close/ Fairview Ind. Park/ Rainham/ Essex/ RM13 8UB