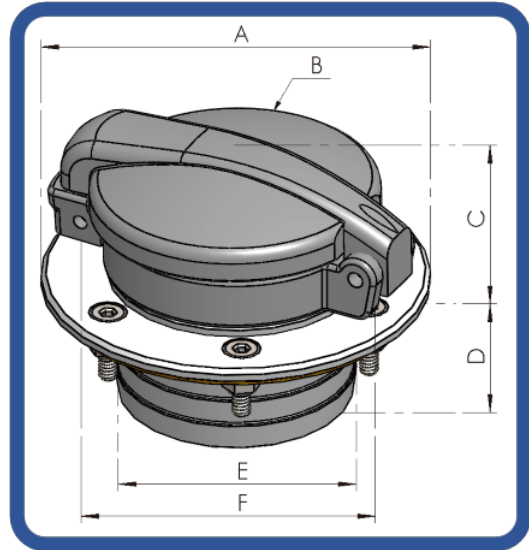




# Classic 200

**Classic 200 Fuel Filler Cap + 6 Bolt Flange Non-Vented Ø50.0  
Hose Neck.**

**Part Number: OI-ZA-003 (C200DN)**



## **Specifications:**

**Options:**

**Fixing Arrangement:**

**Applications:**

**Compatibilities:**

**Finish:**

**Weight:**

**Supplied With:**

N/A

6 x M4 Countersink Bolts

Fuel, Oil & Water Tanks

Compatible with Add Blue

Operation Temperature -40°C to +80°C

Natural Polished

149.0 grams

Cap

Flange

Screw Pack (CSK Screws, Washers, Nyloc Nuts)

Gasket

## **Materials:**

**Centre Cap:**

**Flange Neck:**

**Flange Gasket:**

**Seal Plate:**

**Gasket:**

Aluminium Alloy LM25 Cast

Aluminium Alloy 6085/T6

NBR Bonded Cork

Brass

Fibre Vulcan

## **Dimensions:**

**Outside Diameter A:**

**Filler Cap Outside Diameter B:**

**Height C:**

**Neck Height D:**

**Neck Diameter E:**

**Pitch Circle Diameter F:**

**Thread:**

82.0mm

Ø61.5mm

33.7mm

26.50mm

Ø51.0mm

63.5mm

2" x 18TPI WHIT FORM Thread

## **Optional('s):**

***Fluid Containment – When It Matters***

Tell: +4420 8594 7990 / Fax: +4420 8594 7989 / [www.newton-equipment.com](http://www.newton-equipment.com) / [info@newton-equipment.com](mailto:info@newton-equipment.com)

Registered in England. 6 Orwell Close/ Fairview Ind. Park/ Rainham/ Essex/ RM13 8UB