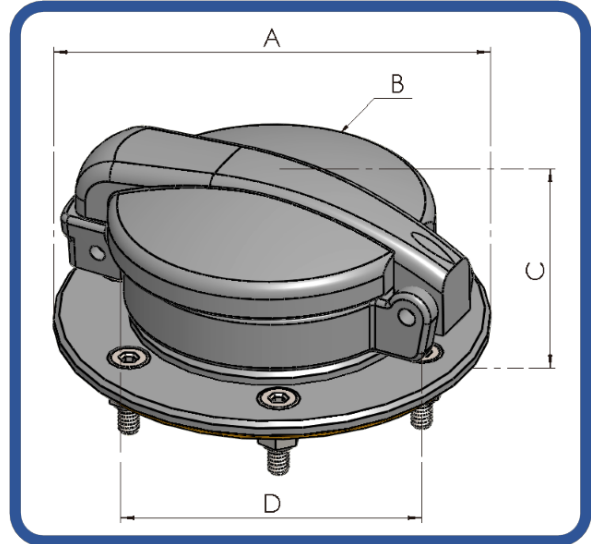




Classic 200

**Classic 200 Fuel Filler Cap + 6 Bolt Flange Non-Vented.
Part Number: OI-ZA-002 (C20DF)**



Specifications:

Options:

Fixing Arrangement:

Applications:

Compatibilities:

Finish:

Weight:

Supplied With:

N/A

6 x M4 Countersink Bolts

Fuel, Oil & Water Tanks

Compatible with Add Blue

Operation Temperature -40°C to +80°C

Natural Polished

154.0 grams

Cap

Flange

Screw Pack

Gasket

Materials:

Centre Cap:

Flange:

Flange Gasket:

Seal Plate:

Gasket:

Aluminium Alloy LM25 Cast

Aluminium Alloy 6085/T6

NBR Bonded Cork

Brass

Fibre Vulcan

Dimensions:

Outside Diameter A:

Filler Cap Outside Diameter B:

Height C:

Pitch Circle Diameter D:

Thread:

82.0mm

Ø61.5mm

33.7mm

63.5mm

2" x 18TPI WHITFORM Thread

Optional('s):

Fluid Containment – When It Matters

Tell: +4420 8594 7990 / Fax: +4420 8594 7989 / www.newton-equipment.com / info@newton-equipment.com

Registered in England. 6 Orwell Close/ Fairview Ind. Park/ Rainham/ Essex/ RM13 8UB