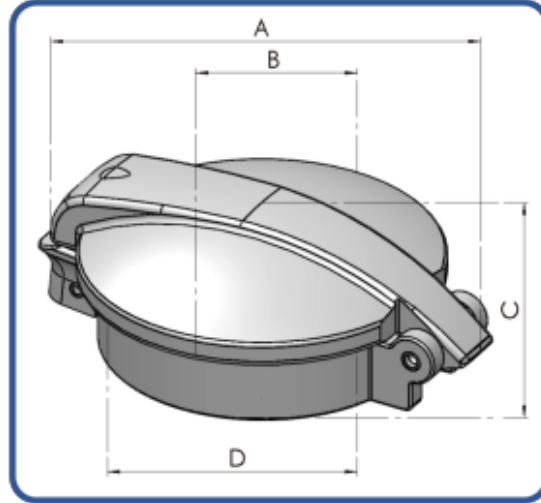




Classic 200

**Classic 200 Fuel Filler Cap.
Part Number: OI-ZA-001 (C20D)**



Specifications:

Fixing Arrangement:

Applications:

Compatibilities:

Finish:

Weight:

2" x 18TPI WHIT FORM Thread
Standard Fuels, Oil & Water Tanks
Operation Temperature -40°C to +80°C
Natural Polished
115.0 grams

Materials:

Bodies:

Seal Plates:

Main Seal:

Washer:

Aluminium Alloy LM25 Cast
Brass
Viton A (of Similar)
Fibre Vulcan

Dimensions:

Cap Length A:

Cap Width B:

Cap Height C:

Thread Specification D:

81.0mm

61.5mm

27.0mm

2" x 18TPI WHIT FORM Thread

Optional('s):

FL-AB-008 (Flange 63.5 CSK Hole PCD)

FL-AB-009 (Flange Neck 63.5 CSK Hole PCD)

Fluid Containment – When It Matters

Tell: +4420 8594 7990 / Fax: +4420 8594 7989 / www.newton-equipment.com / info@newton-equipment.com

Registered in England. 6 Orwell Close/ Fairview Ind. Park/ Rainham/ Essex/ RM13 8UB