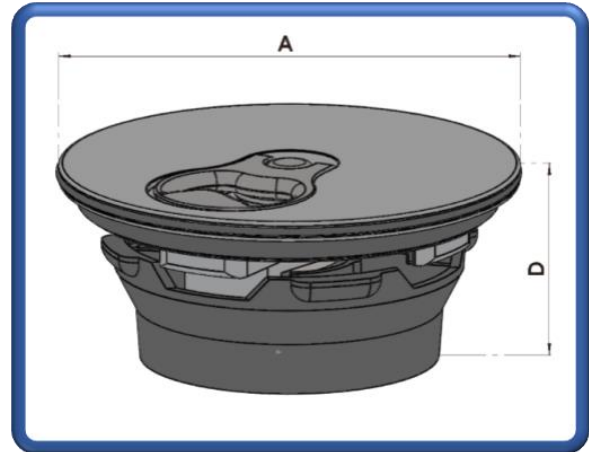




# Aero 500

## Aero 500 Fuel Filler Cap Non-Locking Silver. Part Number: CA-AA-016 (A5S2)



### Options:

#### Part Description

Aero 500 Fuel Filler Cap, Locking, Silver:

#### Part Number

CA-AA-018 (A5L2)

### Specifications:

#### Fixing Arrangement:

#### Applications:

#### Compatibilities:

#### Finish:

#### Weight:

#### Supplied With:

Designed Flange and Neck Adaptors

Fuel, Oil & Water Tanks

Compatible with Add Blue

Operation Temperature -40°C to +80°C

Anodised

145.0 grams

N/A

### Materials:

#### Centre Cap:

#### O-Ring:

#### Saddle:

#### Lever & Centre Pin:

#### Washer & Nyloc Nut:

Aluminium Alloy 6082/T6

Viton A (FPM or FKM)

Acetal POM Kepital F20-03

Stainless Steel 303/304

Stainless Steel A2 Type

### Dimensions:

#### Diameter A:

#### Width D:

76.5mm

35.5mm (Adjustable)

### Optional('s):

Lanyard

Flange & Flange Necks

Hard Anodising

**Fluid Containment – When It Matters**

Tell: +4420 8594 7990 / Fax: +4420 8594 7989 / [www.newton-equipment.com](http://www.newton-equipment.com) / [info@newton-equipment.com](mailto:info@newton-equipment.com)

Registered in England. 6 Orwell Close/ Fairview Ind. Park/ Rainham/ Essex/ RM13 8UB