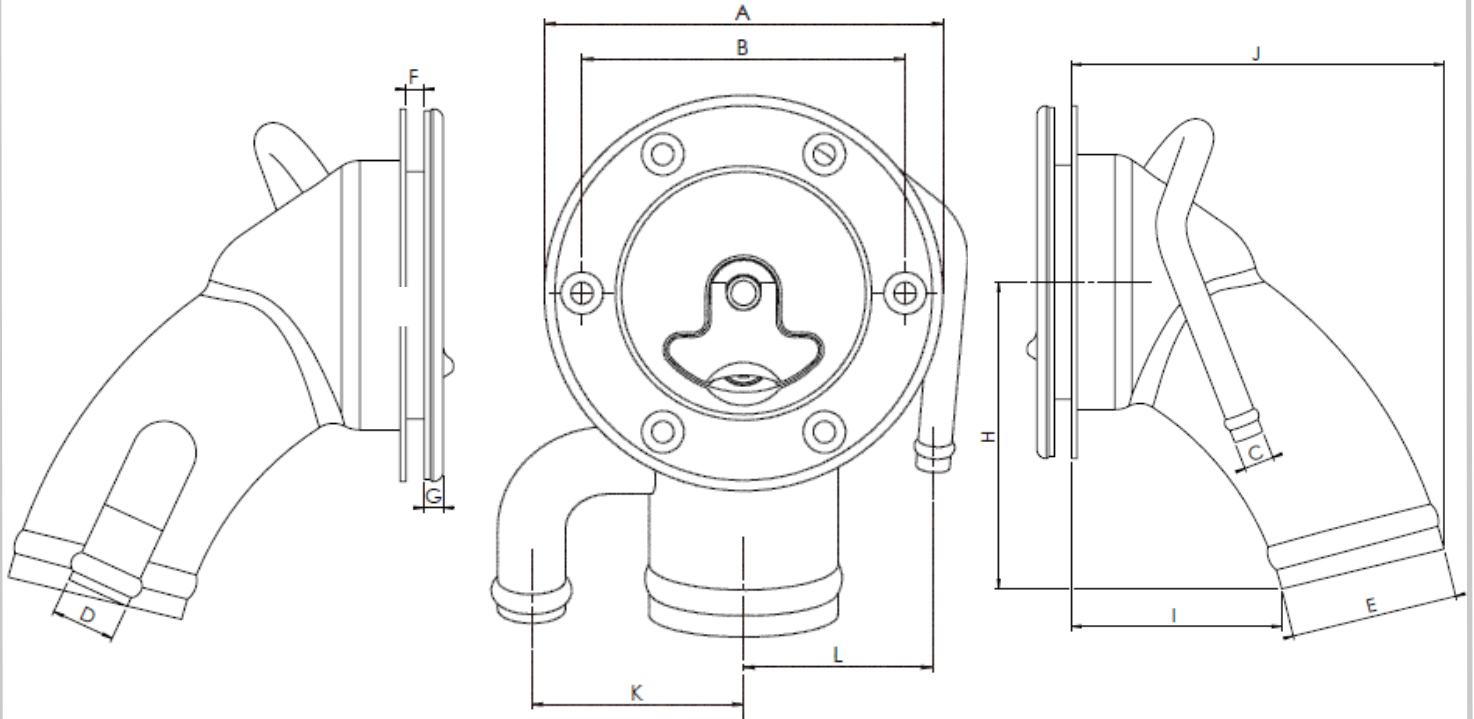




Aero 300 Angled Neck



SPECIFICATIONS

A- Flange outer diameter	Ø94mm/ 3.75"	G- Flange Thickness	4.75mm
B- Bolt Holes (PCD)	Ø76.2mm/ 3"	H- Center to Bottom	82mm
C-Air Return Hose Diameter	Ø8mm	I- Fuel Neck Flange to inner Edge of Hose	56mm
D-Fuel Spill Hose Diameter	Ø16mm	J- Fuel Neck Flange to outer Edge of Hose	99mm
E- Fuel Hose Diameter	Ø44.5mm (1.75")	K- Center of Fuel Spill Hose to center of Fuel Hose	50mm
F- Fuel Neck Flange and outside Flange Gap	4.5mm MAX	L- Center of Air Return Hose to center of Fuel Hose	44.5mm



APPLICATIONS Oil, Fuel & Water Tanks

MATERIALS Flange: 6082 T6
Centre Forging: Aluminium Alloy 6063
Neck: Steel BS1717

FINISH Anodised Clear (Silver) - Also in BLACK

Includes Retention Cable and Lead Free Flap

A36ANL44LFK - Locking with retention and Lead Free Flap

A36ANL44LF - Locking without retention cable

A36ANL44K - Locking with retention cable but no Lead Free

In accordance with our policy of continuous improvement we reserve the right to change our products without prior notice. Please contact our Technical Office for notice of any product updates.

Fluid Containment - When It Matters

Tel: +44 (0)20 8594 7990 / Fax: +44 (0)20 8594 7989 / www.newton-equipment.com / info@newton-equipment.com

Registered in England . Ajax Works, Hertford Road, Barking, Essex, IG11 8DY, UK

© Newton Equipment 2011